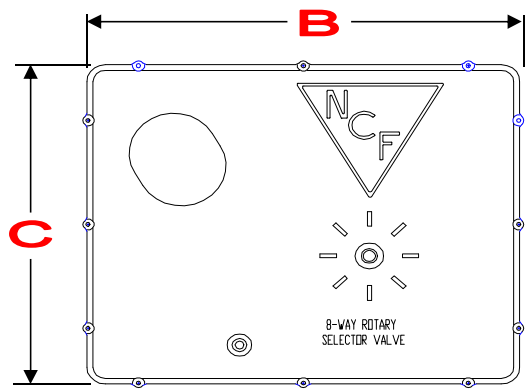


Actuator, nozzle & electronics are included.

Valve body is sold separately.



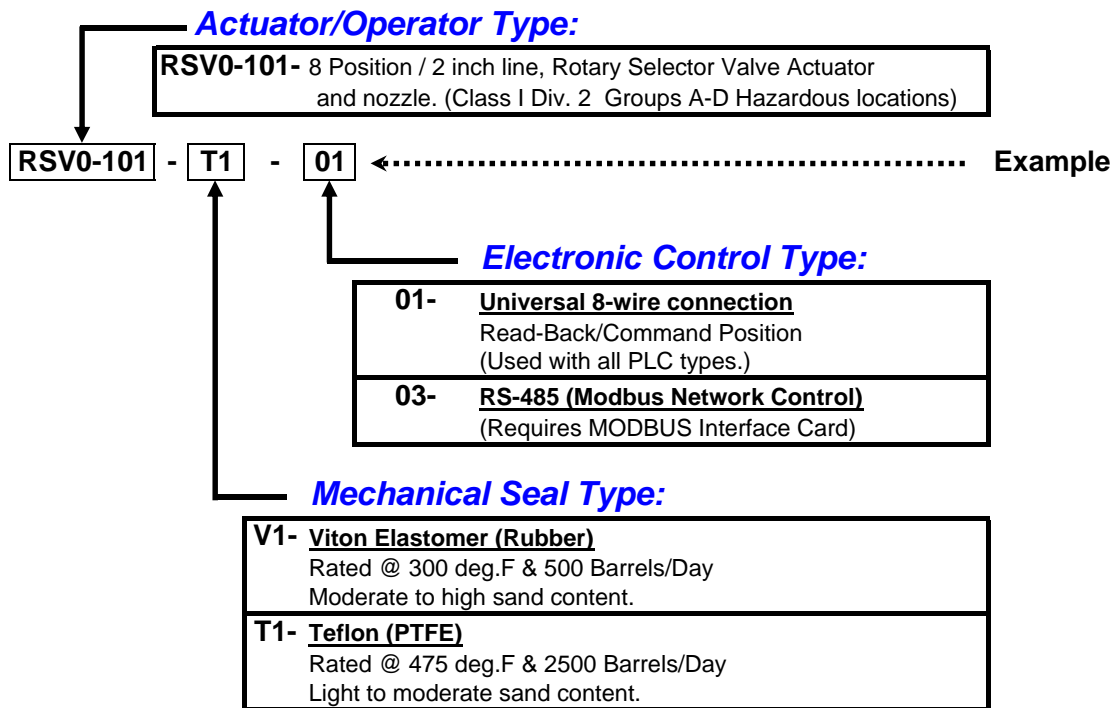
Dimensions in inches

<b>A=</b>	<b>10</b>
<b>B=</b>	<b>27</b>
<b>C=</b>	<b>22</b>

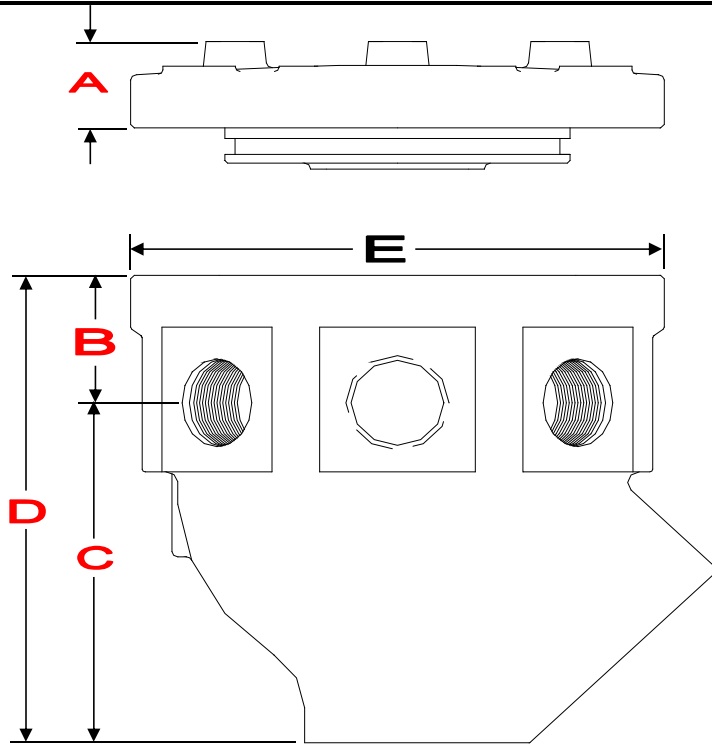
**Specification Data**

Electrical Requirements	120 VAC, 1/2 AMP, Single Phase, 60 Hz
Gear Motor	1/20 hp., 16.7 RPM
Nozzle Rotation	8 RPM - Clockwise, between ports.
Nozzle Seal	VITON(elastomer) or TEFLON(flouocarbon)
Connection	2 X 3/4" NPT
Enclosure	Cast Aluminum
Nozzle	Ductile Iron
Total Weight: (Actuator & Nozzle)	100 lbs.

**Model Numbers**



Aug 2014  
F-4100

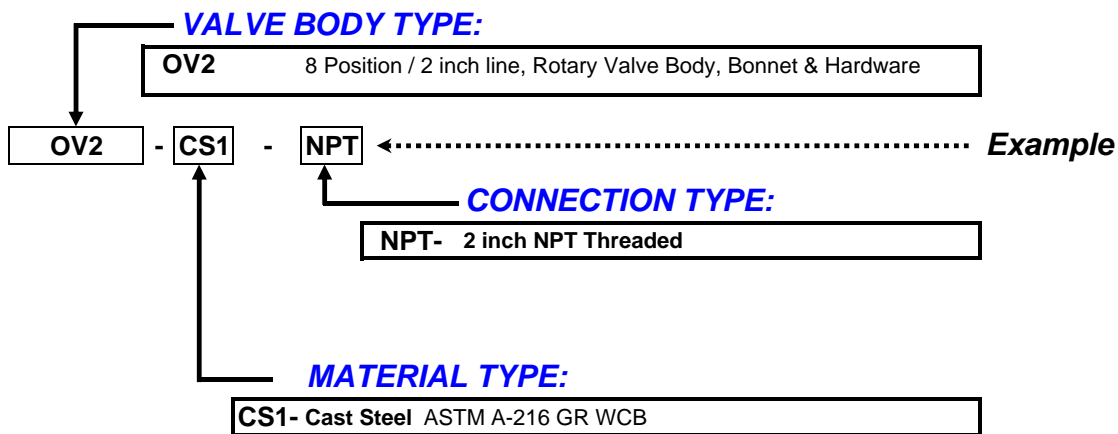


Dimensions in inches  
**A=2, B=3, C=8, D=11, E=11.5**

**Valve Specification Data**

Inlet Ports	8 - (2 inch)
Test Port	1 - (2 inch)
Group Port	1 - (4 inch)
Material	Cast: Steel (ASTM A-216 WCB)
Connection Types	NPT Threaded
Weight	150 lbs.

**Model Numbers**

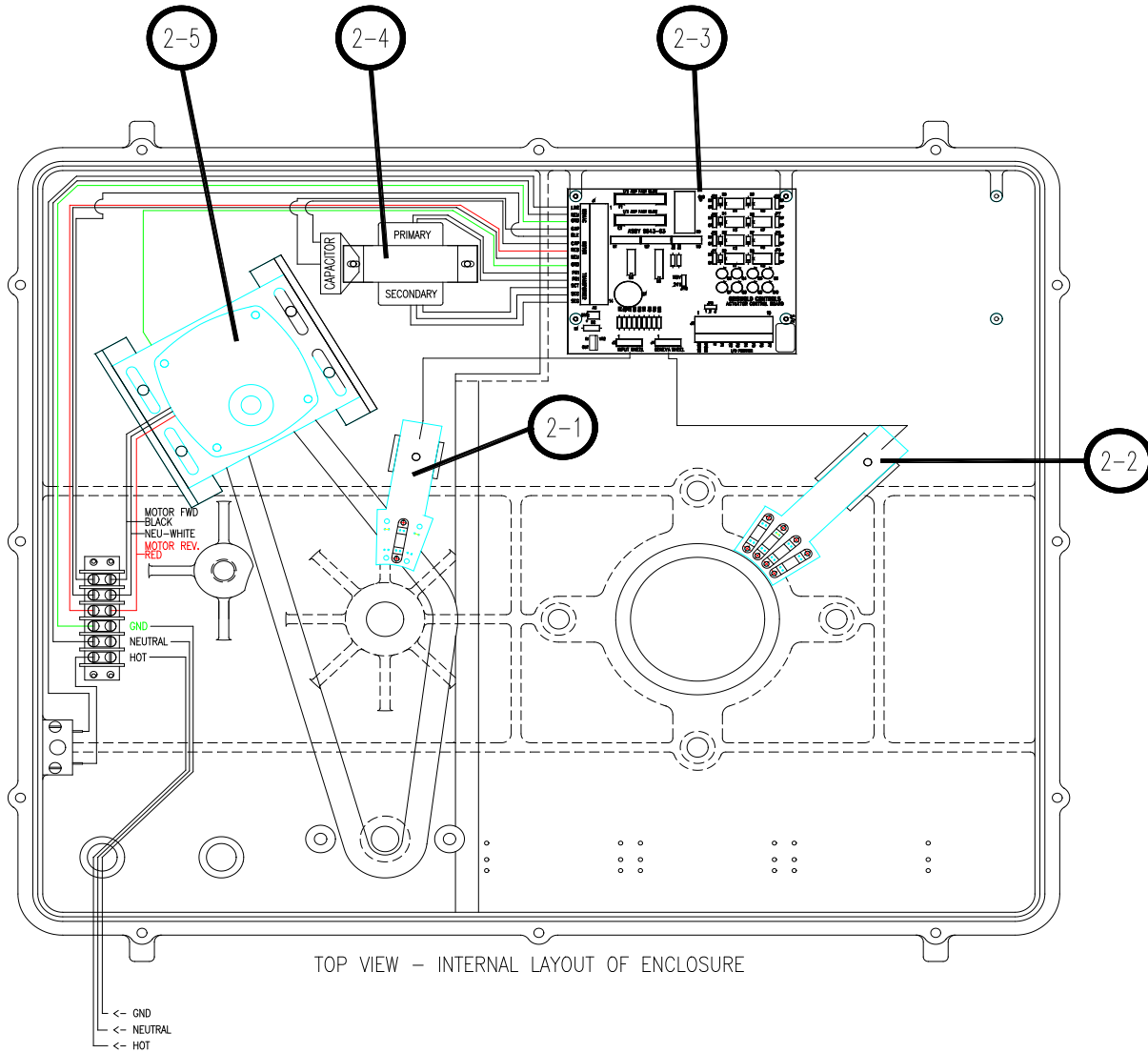


Aug 2014  
 F-4100



**KEISER MFG., INC.**

3501 North Hwy. 123 Bypass Rd.  
 Seguin, TX 78155  
 (830) 379-0721 **Tel** (830) 379-4609 **Fax**  
[www.keiser-mfg.com](http://www.keiser-mfg.com)



**Fig.1**

**Replacement Parts**

Ref.	Qty Reqd.	Part No.	Description
2-1	1	9643-135	LED BOARD FOR INPUT DRIVE WHEEL
2-2	1	9643-138	LED BOARD FOR GENEVA WHEEL
2-3	1	9643-03	UNIVERSAL ELECTRONIC CONTROL BOARD ( <i>Model 01</i> )
2-3	1	9643-48	RS-485 MODBUS ELECTRONIC CONTROL BOARD ( <i>Model 02</i> )
2-4	1	9643-12	POWER TRANSFORMER
2-5	1	9643-06	ELECTRIC GEAR MOTOR

Aug 2014  
F-4100

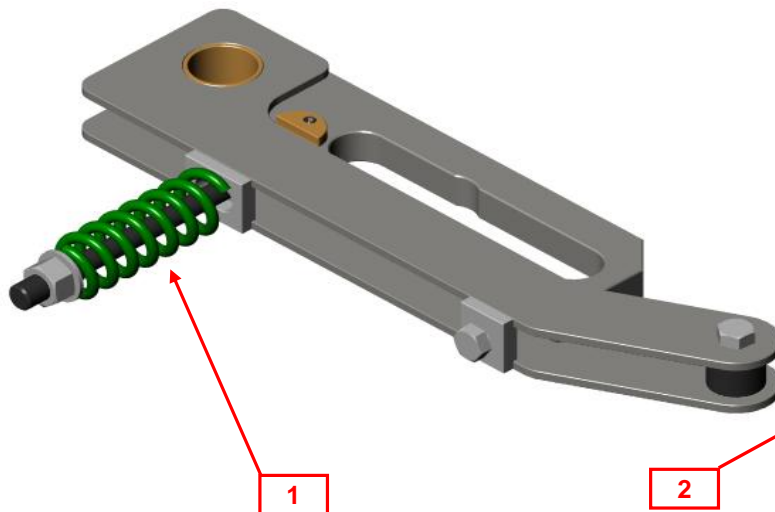


Fig.2

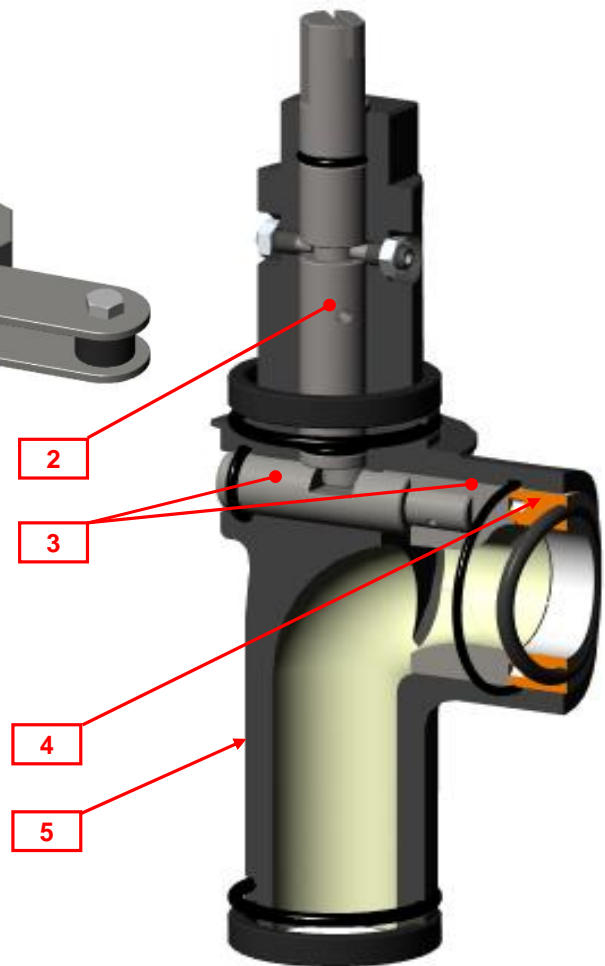


Fig.3

Replacement Parts

Ref	Qty Reqd.	Part No.	Description
1	1	9629-62	COMPRESSION SPRING
2	1	9629-14	CAMSHAFT
3	1	9629-97	PISTON PORT SUB ASSEMBLY
4	1	9643-67	SEAL KIT-VITON includes orings and bearings to rebuild the 2" valve
4	1	9643-68	SEAL KIT-TEFLON includes orings and bearings to rebuild the 2" valve
5	1	9643-35	NOZZLE SELECTOR - SUB ASSEMBLY ( <b>LESS SEAL KIT</b> )

Aug 2014  
F-4100