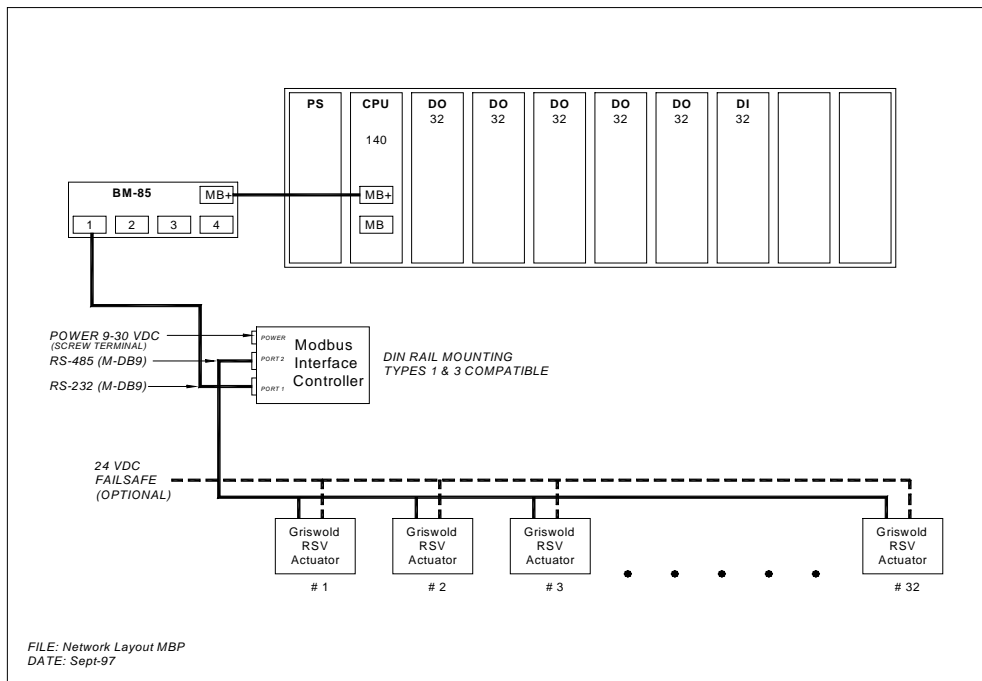
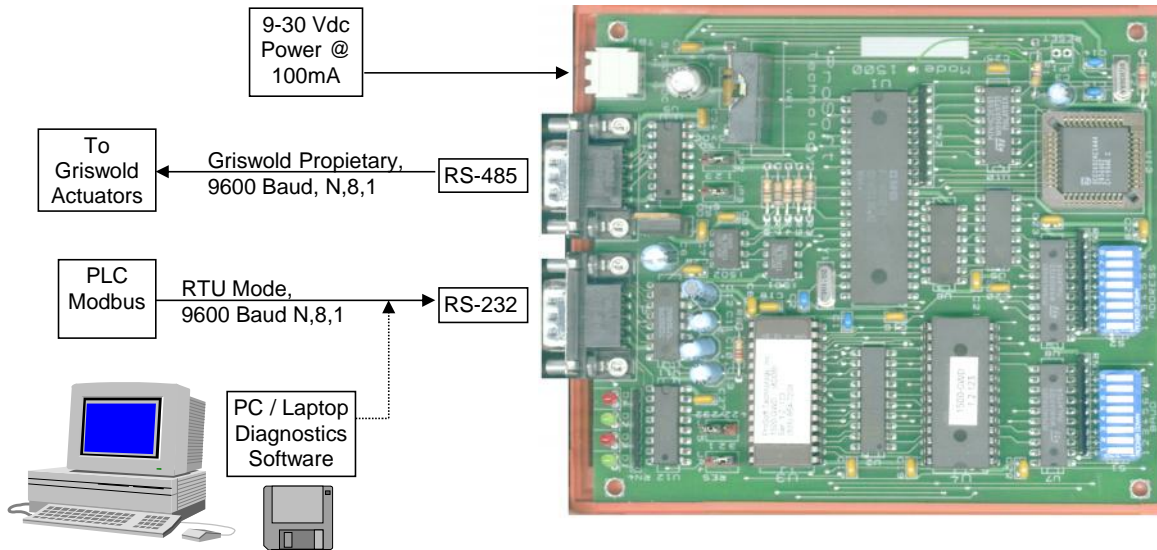


Modbus Network Interface Controller

Modbus Network Interface Controller

Part Number: 9643-72

Provides Modbus Protocol communication for up to 32 valve actuators over an RS-485 two-wire network. Interface mounts DIN rail (Type 1 or 3) inside PLC control panel. PLC communicates in RTU Mode to the interface via RS-232 cable. Interface communicates to Griswold valve actuators through secondary RS-485 port. Requires 18 to 24 AWG non-shielded conductors to daisychain actuators and max range is 4000 ft.
(PC Diagnostics Software Included)



Aug 2014
 F-4203



3501 North Hwy. 123 Bypass Rd.
 (830) 379-0721 **Tel** (830) 379-4609 **Fax**

www.keiser-mfg.com