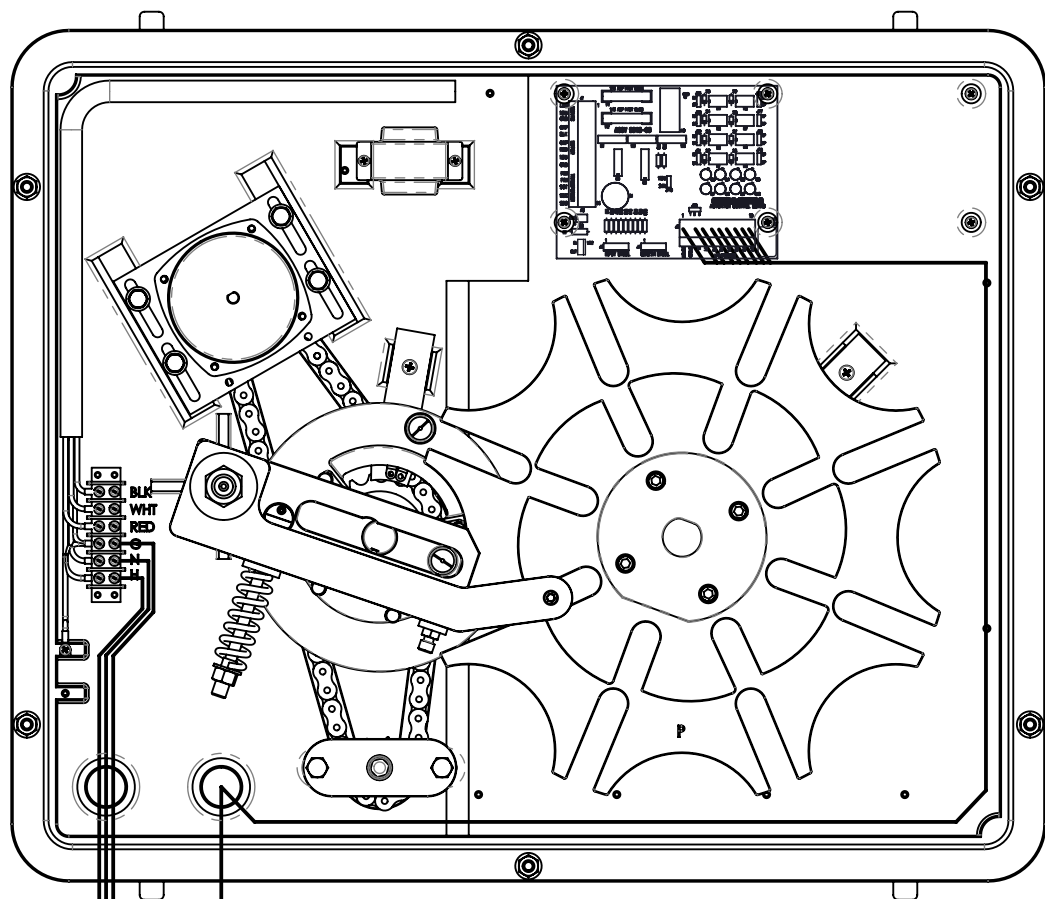


PROPRIETARY AND CONFIDENTIAL
 THE INFORMATION CONTAINED IN THIS DRAWING IS THE SOLE PROPERTY OF KEISER MANUFACTURING, INC. ANY REPRODUCTION IN PART OR AS A WHOLE WITHOUT THE WRITTEN PERMISSION OF KEISER MANUFACTURING, INC. IS PROHIBITED.

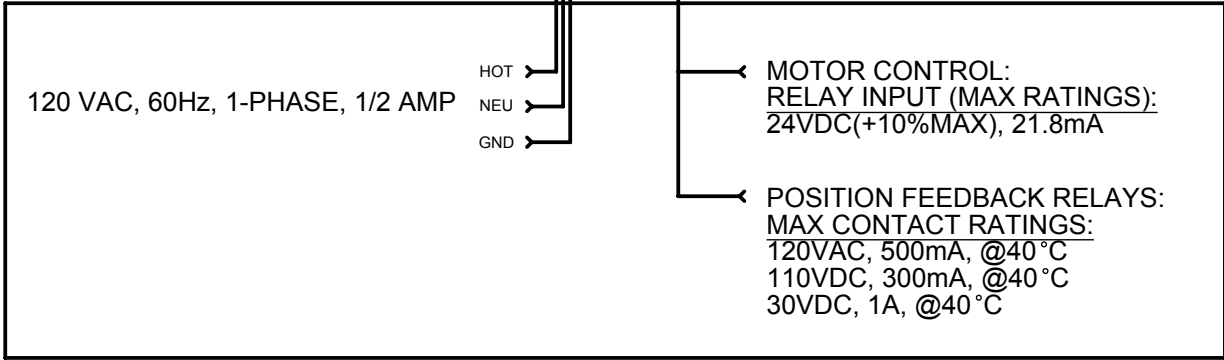
REVISIONS			
REV.	DESCRIPTION	DATE	APPRVD
D1	UPDATED TO 3D FORMAT	4/28/2014	DK

HAZARDOUS (CLASSIFIED) LOCATION

CLASS I, DIV 2, GROUPS A-D, T3
 AMBIENT TEMPERATURE LIMITS: 0-70 ° C



NON HAZARDOUS LOCATION



ASSOCIATED APPARATUS (CONTROL EQUIPMENT)

120 VAC, 60Hz, 1-PHASE, 1/2 AMP
 HOT
 NEU
 GND

MOTOR CONTROL:
 RELAY INPUT (MAX RATINGS):
 24VDC(+10%MAX), 21.8mA

POSITION FEEDBACK RELAYS:
 MAX CONTACT RATINGS:
 120VAC, 500mA, @40 °C
 110VDC, 300mA, @40 °C
 30VDC, 1A, @40 °C

NOTES: (UNLESS OTHERWISE SPECIFIED)

UNLESS OTHERWISE SPECIFIED:		DATE	NAME	Keiser Manufacturing, Inc.
DIMENSIONS ARE IN INCHES		04/28/2014	DK	
TOLERANCES:		DRAWN		TITLE
FRACTIONAL ± 1/16"		CHECKED		RSV CONTROL DRAWING
ANGULAR: MACH ± 1° BEND ± 1°		ENG APPR.		SIZE
TWO PLACE DECIMAL ± 0.02"		MFG APPR.		B
THREE PLACE DECIMAL ± 0.005"		Q.A.		DWG. NO.
MATERIAL:				RSV CONTROL DOC 1
FINISH:				REV
-- N/A --				D1
				SCALE: 1:5
				WEIGHT:
				SHEET 1 OF 1

RSV CONTROL DOC 1